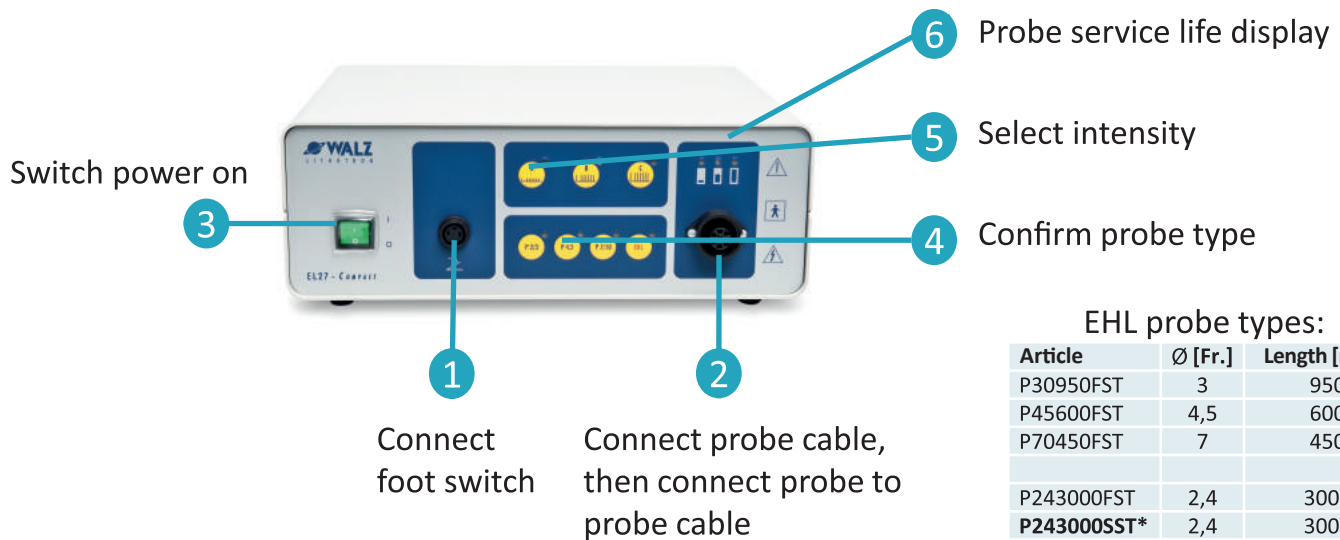


# Walz Lithotron EL 27

## EHL (Electrohydraulic Lithotripsy)

Always consult user manual!

- Application: disintegration of concrements
- Do not use on pregnant patients
- Patients with pacemaker: contact cardiologist first



### EHL probe types:

Article	Ø [Fr.]	Length [mm]
P30950FST	3	950
P45600FST	4,5	600
P70450FST	7	450
P243000FST	2,4	3000
<b>P243000SST*</b>	2,4	3000
P303000FST	3	3000
<b>P303000SST*</b>	3	3000
P453000FST	4,5	3000

\*Proximally reinforced

- **Always use saline solution (0,9% NaCl), otherwise there is no effect!**
- Advance probe in working channel until probe tip is outside endoscope and distance to front lens is min. 6 mm
- Place probe directly onto center of stone
- **Keep distance to tissue, never lower probe tip directly onto tissue!**
- Keep probe plug dry!
- Never switch off device during an intervention: probe may be expended
- Start with intensity „A“, increase intensity rapidly
- Trigger a pulse:
  - Single pulse: press foot switch briefly and release immediately
  - Pulse sequence: press and hold foot switch (automatic stop after 2s)
- Only use single pulses for long probe service life

**0,9%**  
**NaCl**

20180629